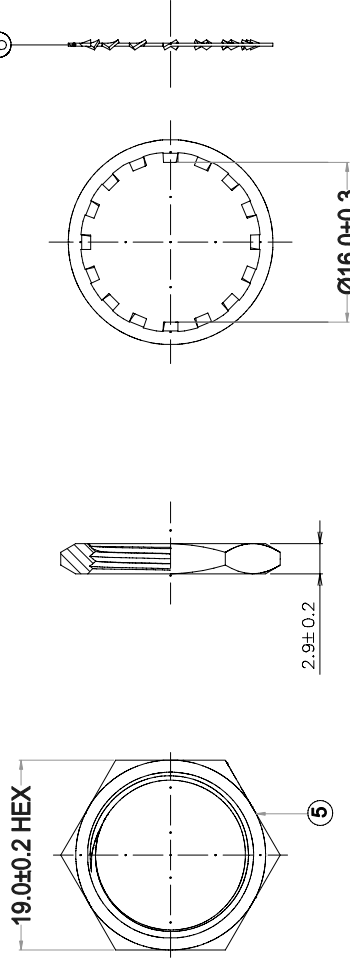
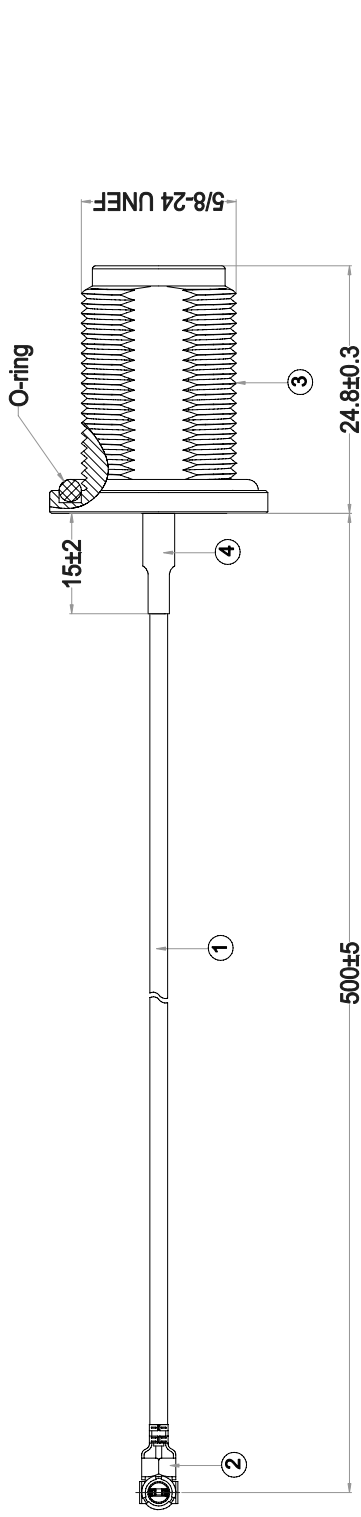


**RoHS**  
Compatible

CUSTOMER  
PART NO

REV.	ORDER NO	DATE
A	New Release	2017.03.29
B	Change Length	2017.03.30



Note:

- Electrical Properties
  - Frequency Range: DC-3GHz
  - Impedance: 50Ω
  - VSWR:<1.5
- Mechanical Properties
  - Pull Force: >1.0Kg For I-PEX MHF Plug
  - Pull Force: >3Kg For N Connector.
- Package: Bulk Package

 东莞市博戈斯通信科技有限公司  
Dongguan Boges Communication Technology Co., Ltd

6	Washer	Washer, Nickel Plated	1
5	Nut	Nut, Nickel Plated	1
4	Tube	Heat Shrink Tube, Black, Ø4.0	1
3	Connector	N Connector Female, Nickel plated	1
2	Connector	I-PEX MHF Plug, 20278-112R-18 or EQ	1
1	Cable	RG 178 Coaxial Cable, Brown	/
NO	PARTNAME	DESCRIPTION	Q.TY

PART NAME: I-PEX To N Cable, L=500MM  
PART NO.:BGS-MHF-178-NF-0500

APPROVED BY: Jim. Yang  
CHECKED BY: Zhang.Yong  
DESIGNED BY: Rain. Li

DATE: 2017-03-30	Tolerance
UNITS: mm	X.X ±0.50
SCALE: None	X.XX±0.15
REVISION: A	X° ±3°