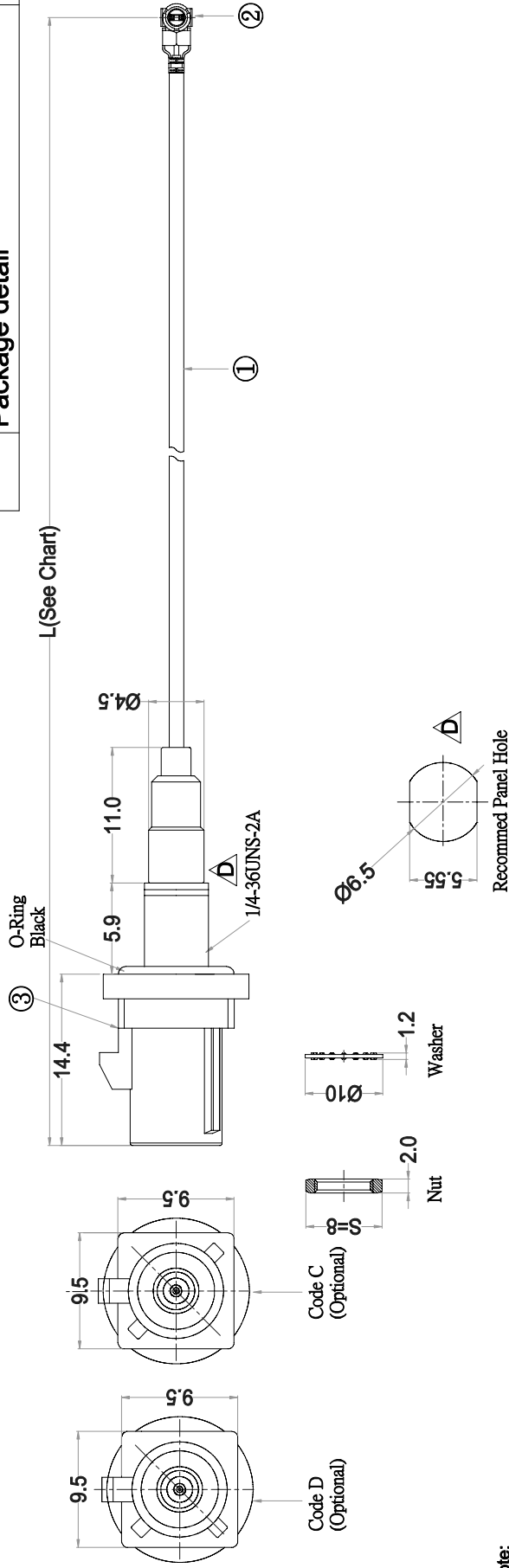


RoHS
Compatible

CUSTOMER
PART NO

REV.	ORDER NO	DATE
△C	Change Fakra Conn Construction & Cable Length	2016.11.30
△D	Change Fakra Conn Construction & Cable Length, Remove HST	2017.02.06
△E	Change Conn to U.FL, Cable color Package detail	2017.02.25



Note:

- Electrical Properties
 - Working Voltage: 335V
 - Frequency Range: DC-4GHz
 - Impedance: 50Ω
 - VSWR: <1.3
- Mechanical Properties
 - Shell Retention : > 110N (Conform to the MIL-PRF-39012 paragraph 3.5 Axial Force)
 - Insertion force : ≤ 25N (Conform to the MIL-PRF-39012 paragraph 3.5 Axial Force)
 - Pull out the output: ≤ 25N (Conform to the MIL-PRF-39012 paragraph 3.5 Axial Force)
 - Mechanical life : > 50 cycles (frequency 10 cycles/MIN) (Conform to the MIL-PRF-39012 paragraph 3.15)
 - SMB connectors mechanical life : > 500 cycles (frequency 12 cycles/MIN)
- Package
 - Pigtail with fixed O-ring (QTY 100)
 - All nuts together packed (QTY 100)
 - All Washers together packed (QTY 100)

Chart

P/N	Coaxial Cable Color	Code	Color	Legnth(mm)
SA161108001-C	Black	C	Blue	142±2
SA161118001-D	Gray	D	Boardeaux Violet	124±2



东莞市博戈斯通信科技有限公司
Dongguan Boges Communication Technology Co., Ltd

PART NAME: FAKRA Conn To U.FL

PART NO.: SA161108001

DATE: 2017-02-25

APPROVED BY	CHECKED BY	DESIGNED BY	Tolerance
jim. Yang	Zhang Yong	Rain. Li	X.X ±0.50
			X.XX ±0.15
			X° ±3°

NO	PARTNAME	DESCRIPTION	Q.TY
3	Connector	Fakra Connector, SMB Plug, IP67	1
2	Connector	Hirose U.FL-P-088	1
1	Cable	Diameter 1.37 Coaxial Cable	/