

RoHS

Compatible

CUSTOMER
PART NO

REV.

ORDER NO

DATE

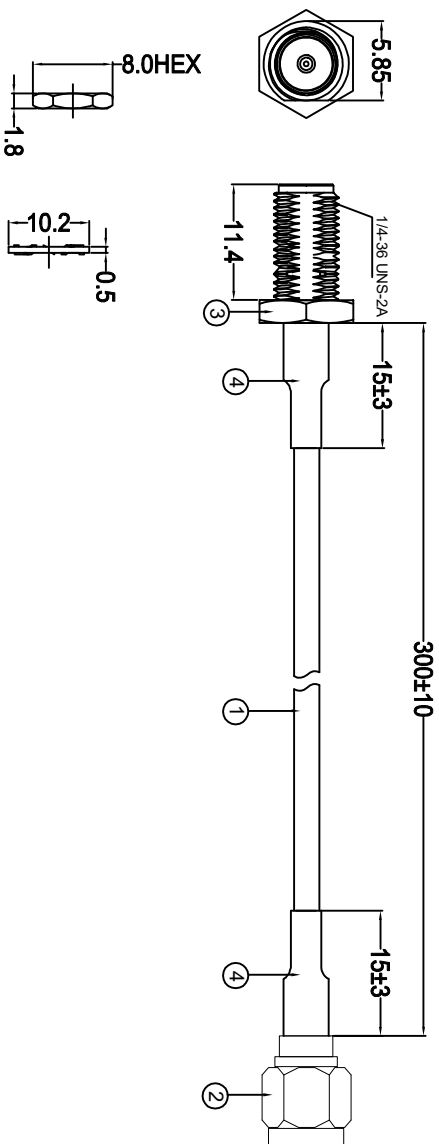
A

New Release

2017.07.21

B

- Note:
1. Electrical Properties
 - 1.1 Frequency Range: DC-3GHz
 - 1.2 Impedance: 50Ω
 - 1.3 VSWR:<1.5 @ 0.1GHz ~ 3GHz,
 2. Mechanical Properties
 - 2.1 Pull Force: >3Kg For SMA Connector.
 3. Package: Bulk Package



 东莞市博戈斯通信科技有限公司
Dongguan Boges Communication Technology Co., Ltd

PART NAME: SMA Cable, Male To female, L=300M

PART NO.:BGS-SMAM-178-SMAF-0300

DATE:2017-07-21

APPROVED BY

CHECKED BY

DESIGNED BY

UNITS: mm

SCALE: None

REVISION: A

Tolerance
X.X ±0.50
X.XX±0.15
X° ±3°

Jim. Yang

Zhang Yong

Rain. Li

NO	PARTNAME	DESCRIPTION	Q.TY
1	Cable	RG 178 Coaxial Cable, Brown	/
2	Connector	SMA Male, Gold Plated	1
3	Connector	SMA Female, Gold Plated	1
4	Tube	Heat Shrink Tube, Black, Ø4.0	2

A

3

4

5

6

7

8